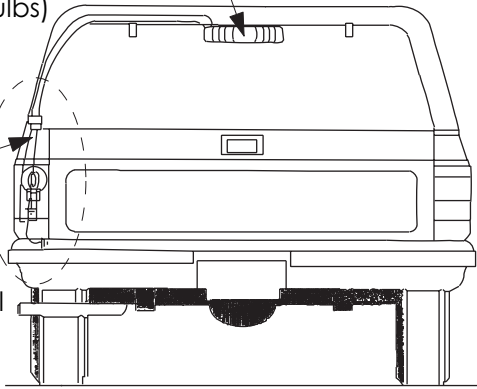


IMPORT

Dis-assemble OEM CHMSL
(Remove Bulbs)

Route wires through
last hole in bed of
truck.

See IMPORT Detail



Center Mount Stoplight -Wiring Kit- Installation Instructions

PN: C90-907

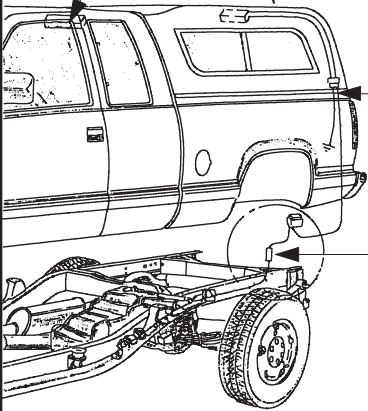


AMERICAN

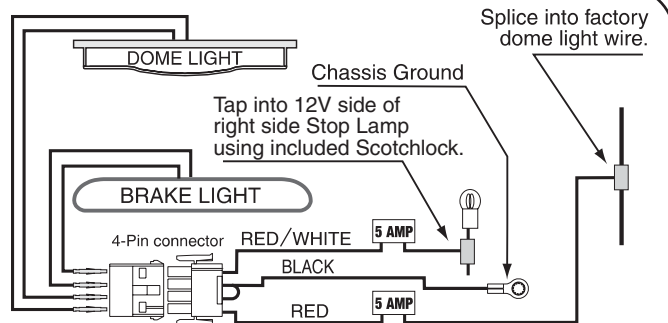
Dis-assemble OEM CHMSL
(Remove Bulbs)

Route wires through
last hole in bed of
truck.

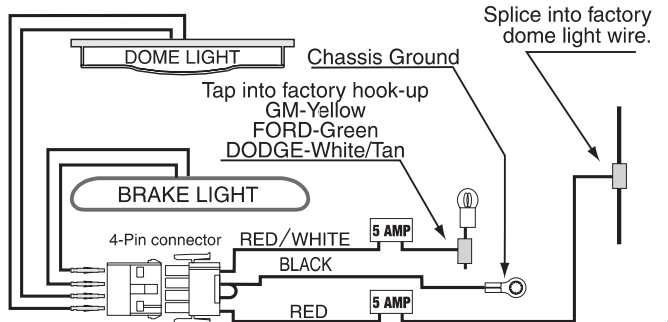
Inside rail is location
of Factory OEM Wire
tagged for CHMSL
hook-up.
See AMERICAN detail.



IMPORT



AMERICAN



AT-LC-1

AT-LC-1 is needed if
turn and brake lights
are combined.

This makes it possible
to extract the brake
signal for the CHSML.

